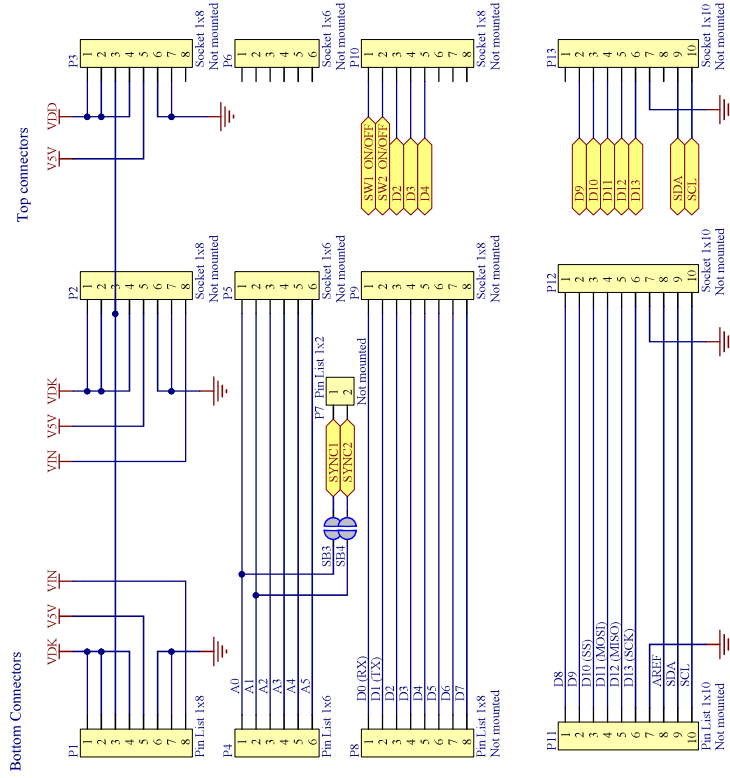
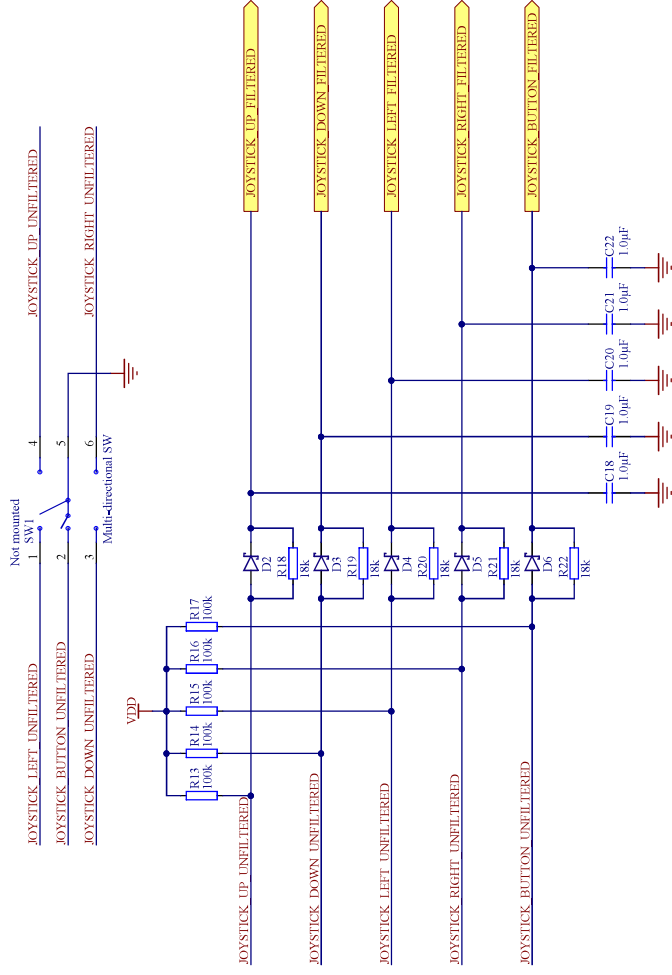


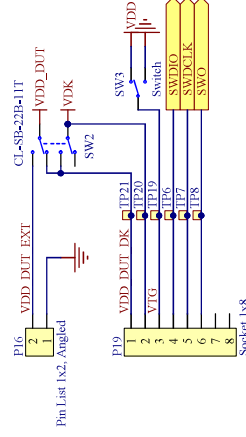
Arduino Interface Connectors



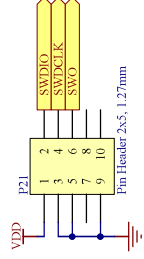
Joystick



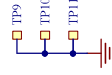
DK and DUT interface



Debug IN Connector



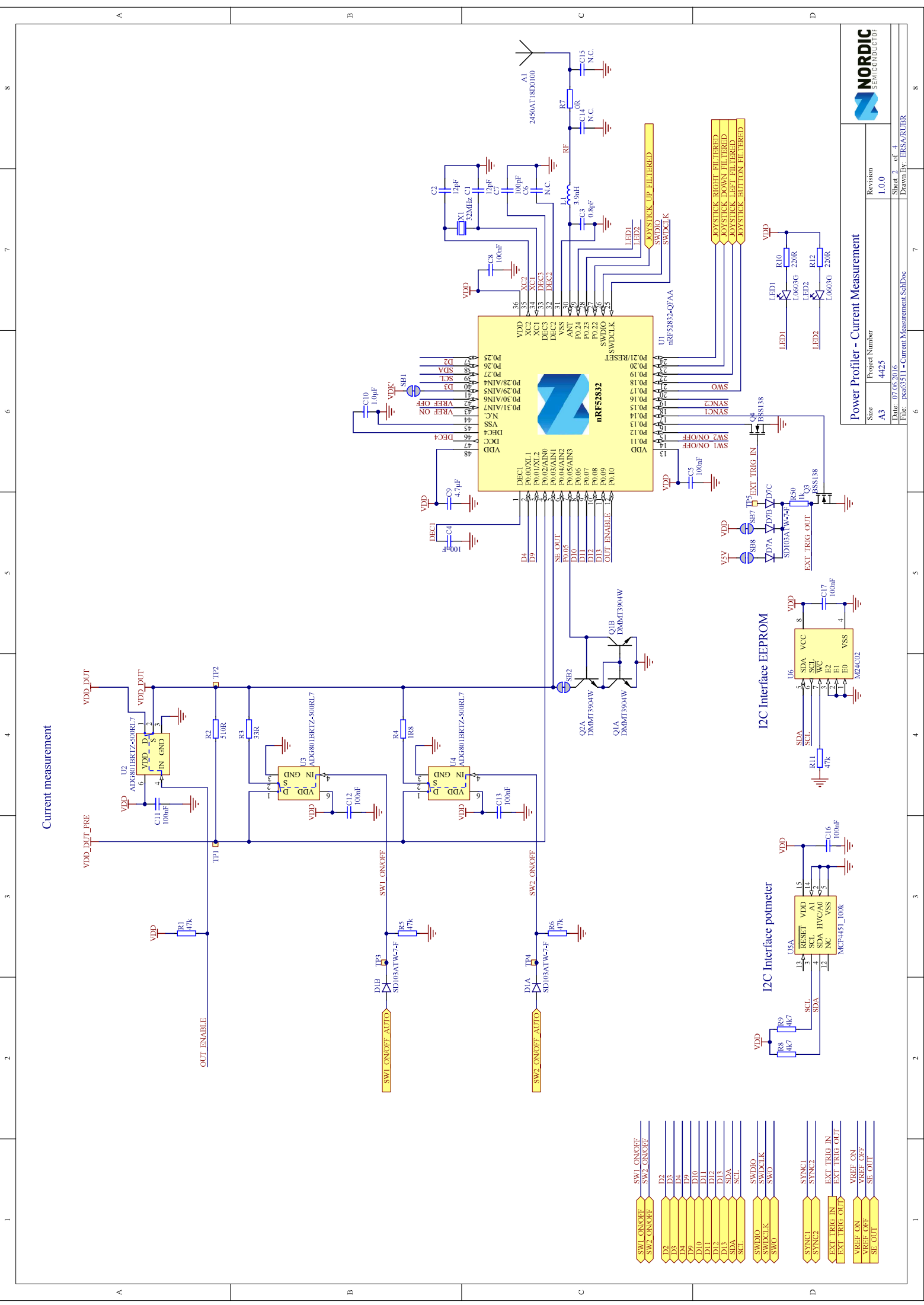
Instrument ground



Power Profiler - Connectors and joystick

Size	Project Number
A3	4425
Revision	Sheet 1 of 4
Date: 17/06/2016	Drawn By: ERSARUBR
File: _pcb05511 - Connectors and joystick.schDoc	





Current measurement

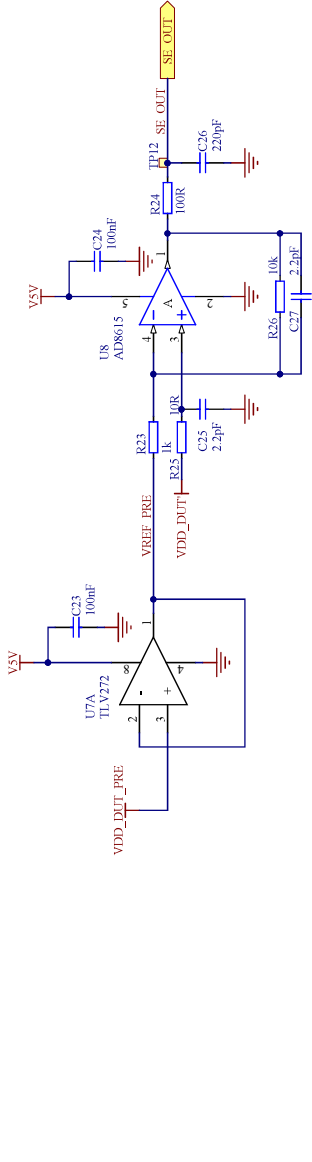
- SW1_ON/OFF
- SW2_ON/OFF
- D2
- D3
- D4
- D5
- D9
- D10
- D11
- D12
- D13
- SDA
- SCL
- SWDIO
- SWDCLK
- SWO
- SYNC1
- SYNC2
- EXT TRIG IN
- EXT TRIG OUT
- VREF ON
- VREF OFF
- SE_OUT

Power Profiler - Current Measurement

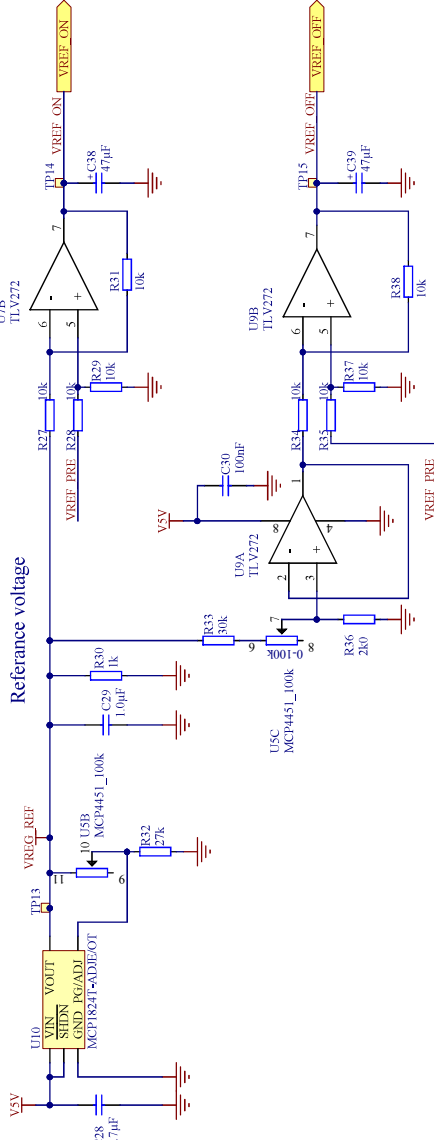
Size	Project Number
A3	4425
Date: 07/06/2016	Sheet 2 of 4
File: _pcb3511 - Current Measurement SchDoc	Drawn By: ERSARUBR



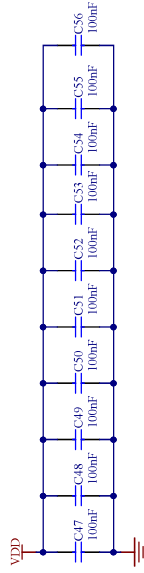
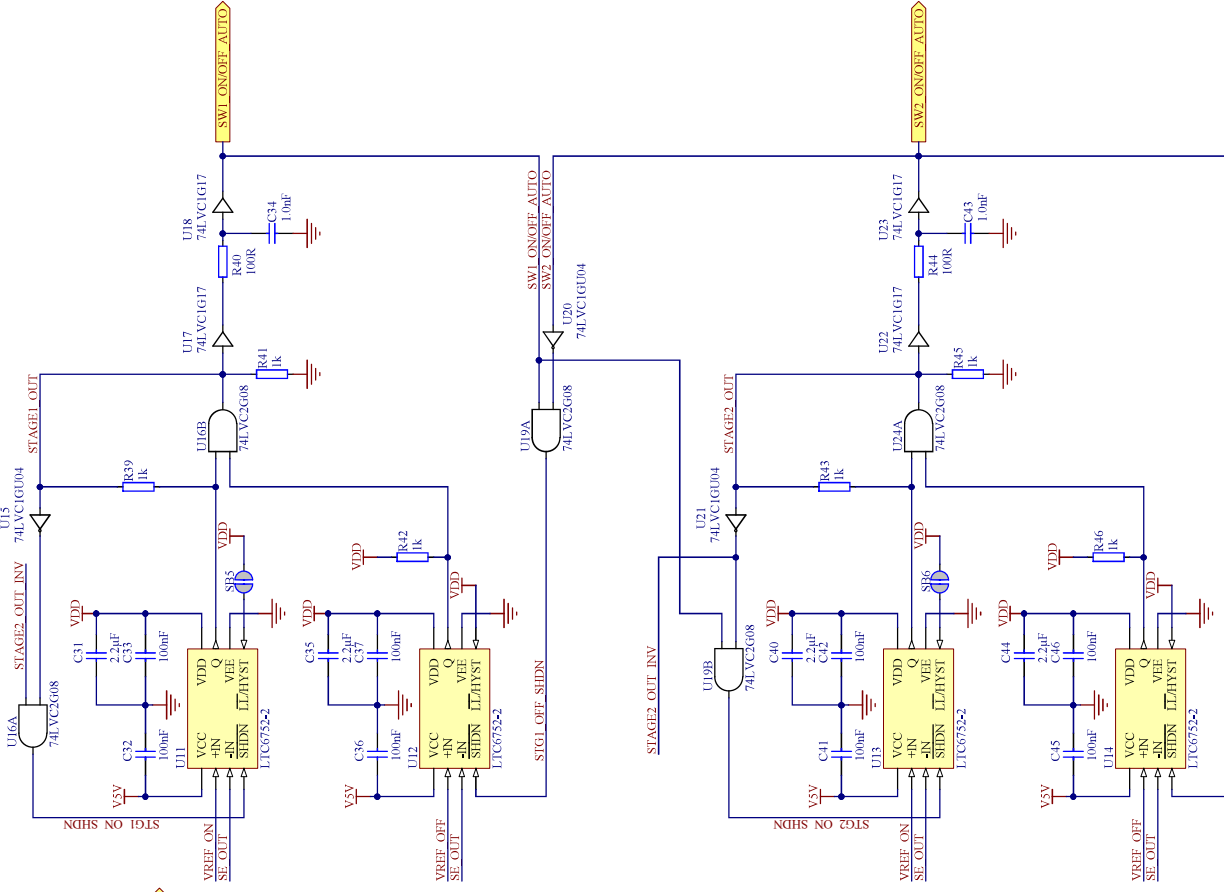
Differential amplifier



Reference voltage



Automatic switch

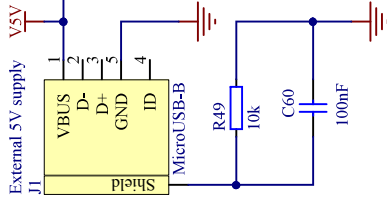


Power Profiler - Automatic switch

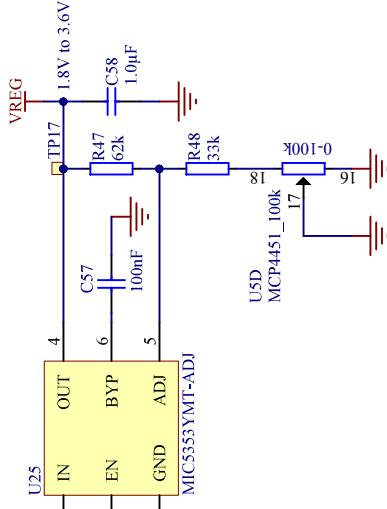
Size	Project Number	Revision
A3	4425	1.0.0
File: _pcb3511 - Automatic switch.SchDoc	Date: 07/06/2016	Sheet 3 of 1
	Drawn By: ERSARUBR	



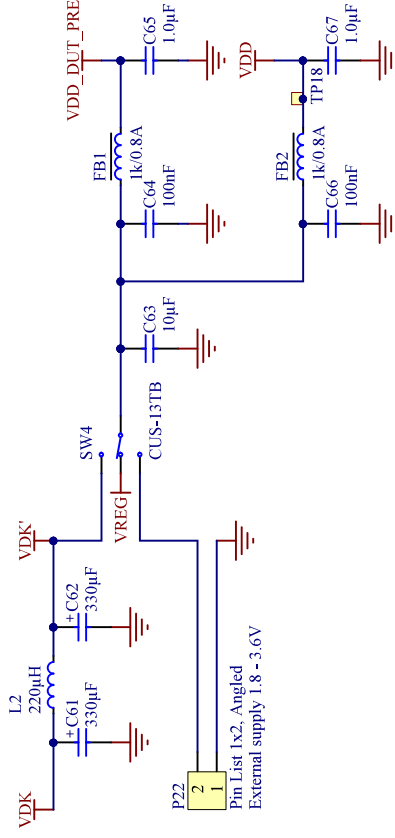
USB voltage in



Voltage regulator



Power supply selector switch



Title Power Profiler - Power supply	
Size A4	Project Number 4425
Date: 07.06.2016	
File: pea63511 - Power supply.SchDoc	



Revision
1.0.0

Sheet 4 of 4
Drawn By: RUBR