

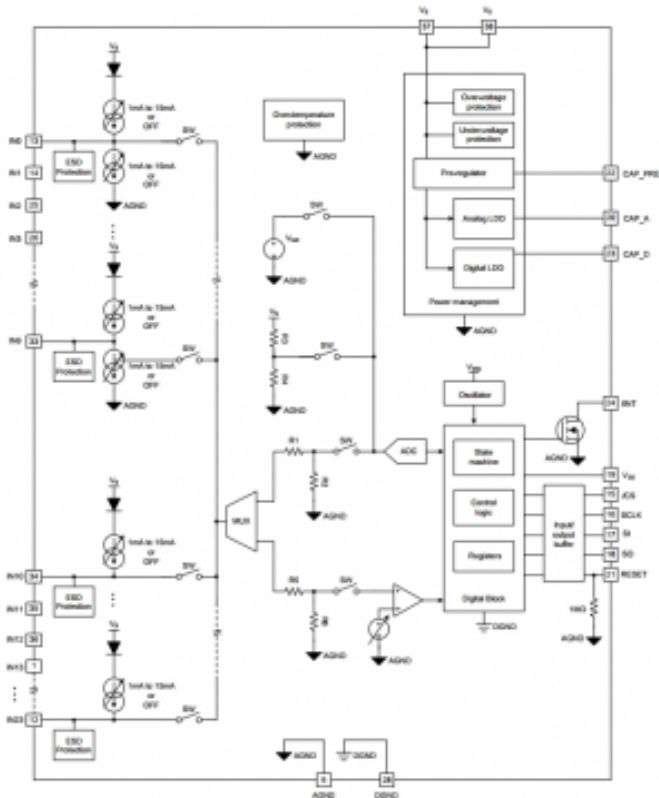
TIC12400 24-Input Multiple Switch Detection Interface (MSDI) Device With Integrated ADC and Adjustable Wetting Current.



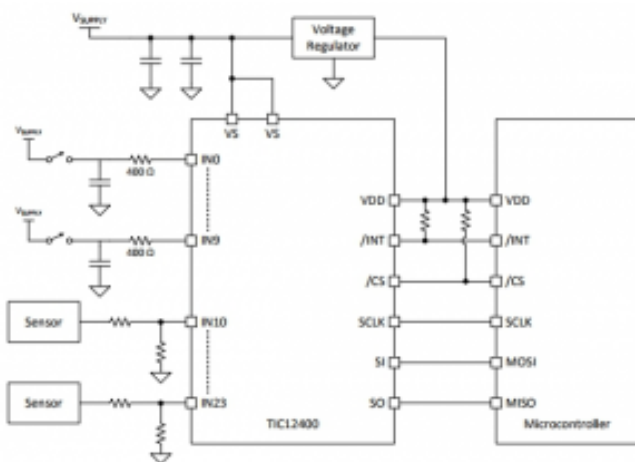
Vlastnosti

- Operates with Supply Voltage (VS) from 6.5 V to 35 V with Over-voltage and Under-voltage Warning
- Monitors up to 24 Direct Switch Inputs with 10 Inputs Configurable to Monitor Switches Connected to Either Ground or Supply
- Switch Input Withstands 40 V and Reverse Supply Condition Down to -24 V
- 6 Configurable Wetting Current Settings: (0 mA, 1 mA, 2 mA, 5 mA, 10 mA, and 15 mA)
- Integrated 10-bit ADC for Multi-Position Analog Switch Monitoring
- Integrated Comparator with 4 Programmable Threshold for Input Monitoring
- Ultra-low Operating Current in Polling Mode: 68 μ A Typical (tPOLL = 64 ms, tPOLL_ACT = 128 μ s, All 24 Inputs Active, Comparator Mode, All Switches Open)
- Interfaces Directly to MCU Using 3.3 V/5 V Serial Peripheral Interface (SPI) Protocol
- Interrupt Generation to Support Wake-Up Operation on All Inputs
- Integrated Supply and Temperature Sensing
- \pm 8 kV Contact Discharge ESD Protection on Input Pins per IEC 61000-4-2 With Appropriate External Components
- 38-Pin TSSOP Package

Blokové zapojenie



Zjednodušené aplikačné zapojenie



Cena

U [Farnella](#) od 2.56 Eur za 10 ks

Odkazy

[Homepage](#)

[Datasheet](#)

Distribúcia

[vid'. Adresár](#)