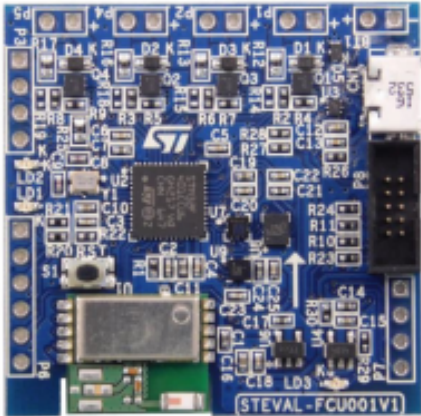


STEVAL-FCU001V1 je malý vývojový kit určený hlavne pre stavbu quadkoptér.

Kit poháňa mikrokontrolér zo série STM32F4, teda 32-bit Cortex™-M4.

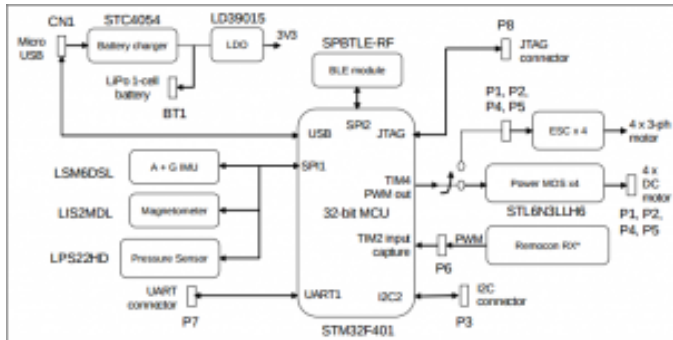
Obsahuje všetko potrebné na stavbu malej quadkoptéry, od prímača Bluetooth, cez MEMS snímače až po výkonový stupeň ovládania motorov.



Vlastnosti

- Compact Flight Controller Unit evaluation board complete with sample firmware to a small and medium size quadcopter
- Lipo 1-cell battery charger on-board
- Possibility to drive directly 4 DC brushed motors through low voltage on-board MOSFET or alternatively use external ESC for DC brushless motor configuration
- Main components:
 - STM32F401 - 32-bit MCU with ARM® Cortex®
 - LSM6DSL - iNEMO inertial module: 3D accelerometer and 3D gyroscope
 - LIS2MDL - High performance 3D Magnetometer
 - LPS22HD - MEMS pressure sensor: 260-1260hPa absolute digital output barometer
 - SPBTLE-RF - Very low power module for Bluetooth Smart v4.1
 - STL6N3LLH6 - N-channel 30 V, 6 A STripFET H6 Power MOSFET
 - STC4054 - 800 mA Standalone linear Li-Ion battery charger

Blokové zapojenie



Cena

U [Mouser](#) za 27.63 Eur

Odkazy

[Homepage](#)

[Specification](#)

[User's manual](#)

