

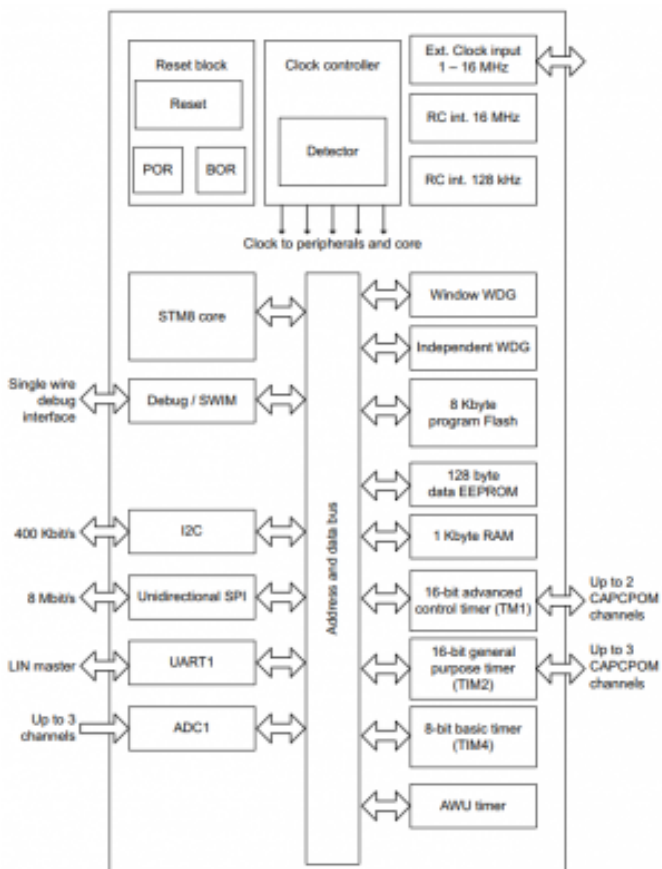
STMicroelectronics dalo do obehu 8-pinový (SOIC8), 8-bitový MCU 16MHz mikrokontrolér za 20 centov (USD @10k ks).

Vlastnosti

- Core
 - 16 MHz advanced STM8 core with Harvard architecture and 3-stage pipeline
 - Extended instruction set
- Memories
 - Program memory: 8 Kbytes Flash memory; data retention 20 years at 55 °C after 100 cycles
 - RAM: 1 Kbyte
 - Data memory: 128-byte true data EEPROM; endurance up to 100 k write/erase cycles
- Clock, reset and supply management
 - 2.95 V to 5.5 V operating voltage
 - Flexible clock control, 3 master clock sources
 - External clock input
 - Internal, user-trimmable 16 MHz RC
 - Internal low-power 128 kHz RC
 - Clock security system with clock monitor
 - Power management
 - Low-power modes (wait, active-halt, halt)
 - Switch-off peripheral clocks individually
 - Permanently active, low-consumption power-on and power-down reset
- Interrupt management
 - Nested interrupt controller with 32 interrupts
 - Up to 5 external interrupts
- Timers
 - Advanced control timer: 16-bit, 2 CAPCOM channels, 2 outputs, dead-time insertion and flexible synchronization
 - 16-bit general purpose timer, with 3 CAPCOM channels (IC, OC or PWM)
 - 8-bit basic timer with 8-bit prescaler
 - Auto wakeup timer
 - Window and independent watchdog timers
- Communications interfaces
 - UART, SmartCard, IrDA, LIN master mode

- SPI unidirectional interface up to 8 Mbit/s (master simplex mode, slave receiver only)
- I2C interface up to 400 Kbit/s
- Analog to digital converter (ADC)
 - 10-bit ADC, ± 1 LSB ADC with up to 3 multiplexed channels, scan mode and analog watchdog
- I/Os
 - Up to 5 I/Os including 4 high-sink outputs
 - Highly robust I/O design, immune against current injection
- Development support
 - Embedded single-wire interface module (SWIM) or fast on-chip programming and non-intrusive debugging

Blokové zapojenie



Cena

Podľa ST, je cena za 10k ks len 0.20 USD

Odkazy

[Homepage](#)

[Datasheet](#)

Distribúcia

[vid. Adresár](#)